

Power-Open/Power-Close Rectangular Damper

DSEP

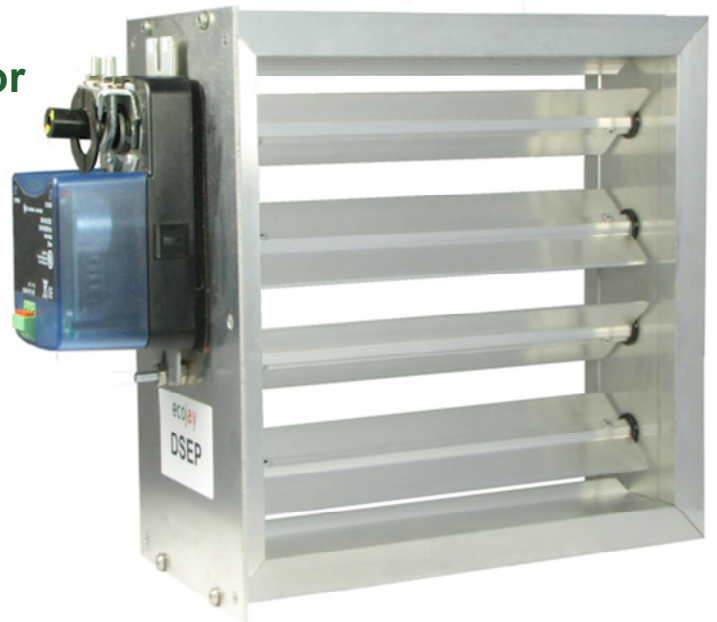
- Power-Open / Power-Close Actuator
- Adjustable Minimum and Maximum Open Position
- Precision Aluminum Construction for Quiet & Sturdy Operation

The Ecojay DSEP series of low pressure two-position dampers was developed with precision and reliability in mind. Aluminum Components with critical dimensions are manufactured accurately for quiet operation. This rectangular damper incorporates gear driven technology to allow damper blades to move opposing each other while opening and closing. The precision cuts during construction guarantee a damper that has minimal leakage. Using a set screw, a minimum open position can be enabled to bleed air for ventilation of each zone. Or set a maximum open position to balance or limit air flow in an individual zone.

Quality & Reliability

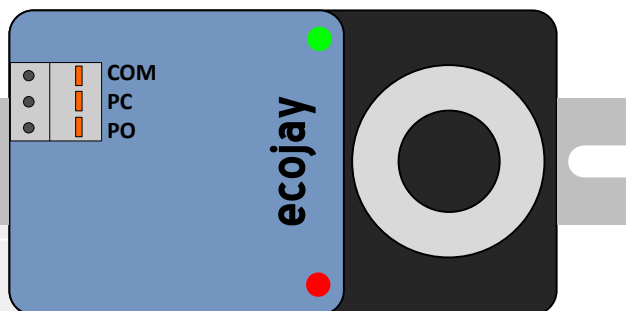
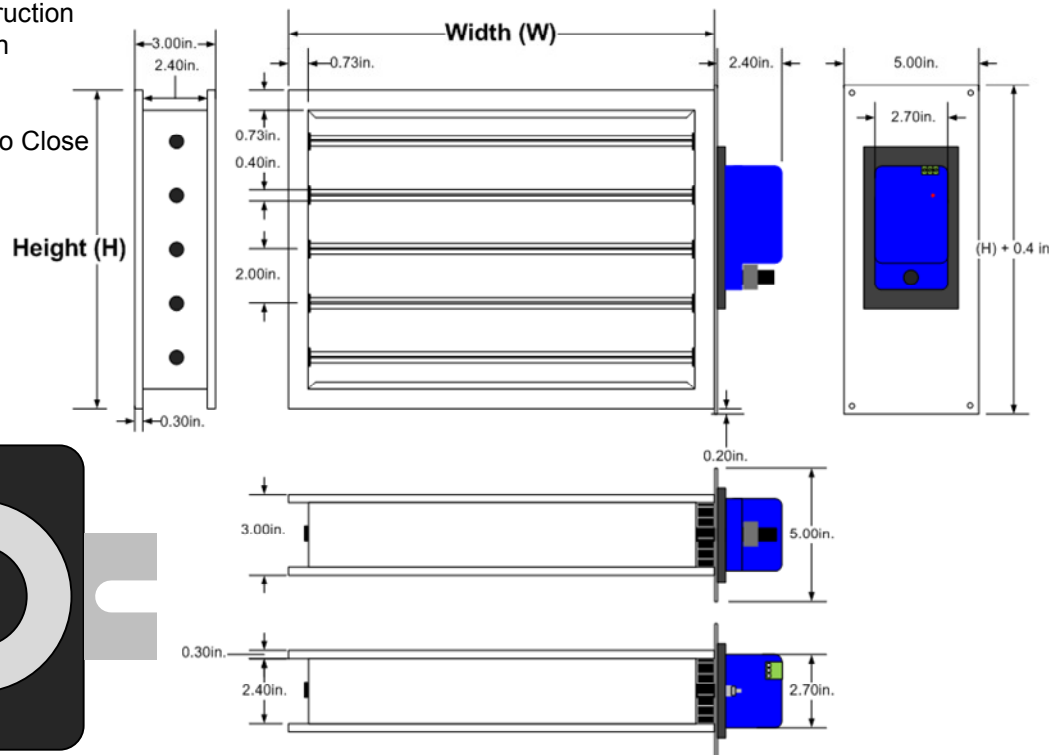
- LEDs to Indicate OPEN (Green) and CLOSE (Red)
- Gear Driven Opposed-Blade Damper Blades
- High-Reliability Direct Drive Motor Assembly
- Power-Closed/Power-Open for Trouble-Free Operation
- Heavy-Duty Extruded Aluminum Construction
- Precision Cut and Extruded for Strength
- Long Life, Quiet Nylon Bushings
- Power-Open/Power-Close Actuator
- 30-Second Operation From Full Open to Close
- Easy Connect Screw Terminals
- Hi-Visibility Blade Position Indicator
- Adjustable Min/Max Position
- Mount in any Position

Rectangular Zone Damper



DSEP

*See reverse for available sizes.



SPECIFICATIONS

Power	24VAC, 2.5 VA typical (4 VA max)
Actuator	Model # APDM Electronic Time-Out at End of Travel 18 in-lb Torque Power-Close / Power-Open 30 Second Motor Max 90 Degree Travel
Position Indicator	Configured on Shaft
Wiring	3 Screw Terminals PO, PC, Common Use 18 Gauge Solid Core 3-Wire
Sizing	See Dimension and Part Number Chart

OTHER REFERENCES

- SmartZone System Manual
- SmartZone-2X, 4X/8X Install Guides
- SmartZonePLUS Install Guide
- SPC Specification Sheet
- References available at ecojoy.com or by calling toll free 888-523-ECOJ

Rectangular Static Pressure Controlled Bypass

Configuration (DBEM)

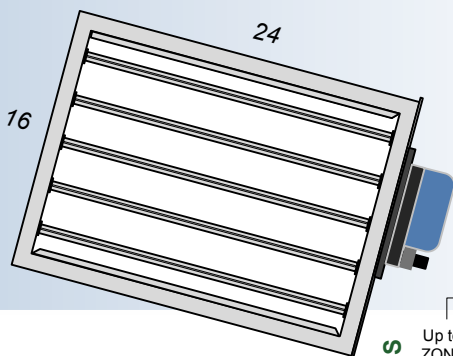
When using round dampers for automatic bypass modulation, order DBEM**.** (**.**=Size of Bypass needed in Inches). For more information on the Static Pressure Controlled Bypass Series refer to **ASPC Specification Sheet**

Mounting Installation

The DSEP Rectangular Dampers can be mounted in any orientation to account for all configurations and sizes of duct. The motor will always be mounted on the second number (The height side of the damper frame. See Available Size Table)

Example: An DSEP2416 will have the motor mounted on the 16 inch side of this damper.

NOTE: Motors mounted on bottom are susceptible to condensed water and potential motor shorting. Always insulate and seal any exposed areas.



WIDTH (Inches)	HEIGHT (Inches) – ACTUATOR MOUNTED ON THIS SIDE				
	8	10	12	14	16
8	DSEP0808	DSEP0810	DSEP0812	DSEP0814	DSEP0816
10	DSEP1008	DSEP1010	DSEP1012	DSEP1014	DSEP1016
12	DSEP1208	DSEP1210	DSEP1212	DSEP1214	DSEP1216
14	DSEP1408	DSEP1410	DSEP1412	DSEP1414	DSEP1416
16	DSEP1608	DSEP1610	DSEP1612	DSEP1614	DSEP1616
18	DSEP1808	DSEP1810	DSEP1812	DSEP1814	DSEP1816
20	DSEP2008	DSEP2010	DSEP2012	DSEP2014	DSEP2016
22	DSEP2208	DSEP2210	DSEP2212	DSEP2214	DSEP2216
24	DSEP2408	DSEP2410	DSEP2412	DSEP2414	DSEP2416
26	DSEP2608	DSEP2610	DSEP2612	DSEP2614	DSEP2616
28	DSEP2808	DSEP2810	DSEP2812	DSEP2814	DSEP2816
30	DSEP3008	DSEP3010	DSEP3012	DSEP3014	DSEP3016

Size Selection Width X Height

- **Size** = Nominal size of the damper (Size of the duct it will fit)
- **Actual Width** = [Width – 0.125"]
- **Plate Height** = Height of the base-plate
- **Actual Height** = [Height – 0.25"] frame (Actuator mounted on the side with this dimension)

ECOJAY PART NUMBERS					
ZONE CONTROLS	Up to 8 ZONES	ZS2X, ZS4X, ZS8X, ZSKIT#	SmartZone-2X, SmartZone-4X, SmartZone-8X, SmartZone-KIT	2-Zone Controller w/ Supply Sensor, 4-Zone Controller w/ Supply Sensor, 8-Zone System (Using 4X4 Link) w/ Supply Sensor, Order by # of zones, up to 8 Zones	
	Up to 33 ZONES	ZPMC, ZPE1, ZPE4, ZPKIT#	SmartZonePLUS-MC, SmartZonePLUS-E1, SmartZonePLUS-E4, SmartZonePLUS-KIT	Main Controller (Controls Equipment & Zone 1) w/ Supply Sensor, 1-Zone Expander Module (for use with SZP-MC), 4-Zone Expander Module (for use with SZP-MC), Order by # of zones, up to 33 Zones	
		SUPPLY	DSUS, DSUP, DSEP, DBUM	Supply Round – Spring Open, Supply Round – Power Open, Supply Rectangular – Power Open	Spring Open (Fail Open)/ Power Close Round Supply Damper, Power Open/ Power Close Round Supply Damper, Power Open/ Power Close Rectangular Supply Damper
			BYPASS	DBEM, DBUB	Bypass Round – Modulating, Bypass Rectangular – Modulating, Bypass Round – Barometric

ecojoy.com
MORE INFORMATION ABOUT THESE PRODUCTS AVAILABLE ONLINE

