

Barometric Bypass Damper

DBUB

- Reliably Simple Mechanism
- Durable Spiral Can
- Easily Adjustable
- NO Power Required

The Ecojay barometric bypass dampers were developed with economy and simplicity in mind. The necessity for a bypass damper in almost all zoning applications calls for an easy to use and cost effective damper to serve this purpose. The weighted arm method of controlling bypassed air has field proven reliability and quiet operation. Custom components with critical dimensions are manufactured using high speed laser cutters to ensure a precision fit. Ecojay DBUB series low pressure barometric bypass damper are reliable and easy to install.

Barometric Bypass Damper


DBUB

Available Sizes

	Part #	D	L
BAROMETRIC PRESSURE BYPASS	DBUB10	10"	12"
	DBUB12	12"	14"
	DBUB14	14"	16"
	DBUB16	16"	18"

Size Selection & CFM

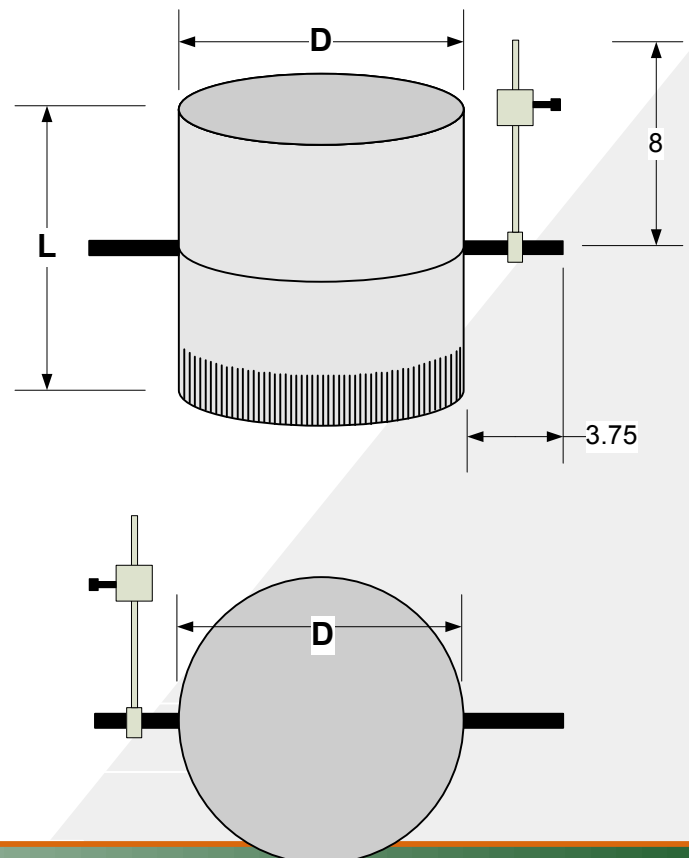
Determine the size of bypass needed using this formula:

$$\frac{\text{Total CFM the system can produce (Total CFM)} - \text{Total CFM of the smallest Zone (Zone CFM)}}{\text{CFM needed to Bypass}}$$

Bypass Damper Size	CFM
10"	800
12"	1200
14"	1600
16"	2000

Features

- 360 Degree Adjustable Arm for Correct Positioning
- One Crimped End; One Straight End
- Heavy-Duty Galvanized Spiral Construction
- Precision Cut Blades with Gasket
- Strong Aluminum Shaft
- Long Life, Quiet Nylon Bushings
- Yellow Indicator Assures Correct Flow Direction
- 8" Weighted Arm to Adjust Air Flow Restriction
- Hi-Visibility Position Indicator for Verification of Damper Position
- Weight Arm can be mounted in any position (See mounting instructions on back)



MORE INFORMATION
AVAILABLE ONLINE

ecojay.com

SPECIFICATIONS

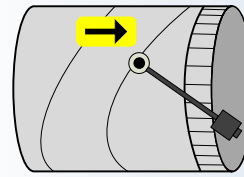
Power	NONE
Action	Weighted arm can rotate 360° using a 1/2" I.D. Shaft Collar w/ 1/4-20 Set Screw (zinc plated) . 8" arm directly linked to the shaft rotating based on supply air plenum pressure. 8" arm should be positioned as shown below.
Position Indicators	Blade Position on Shaft Air-Flow Direction Sticker on Can
Wiring	NONE
Sizing	See Available Size Chart (FRONT)

OTHER REFERENCES

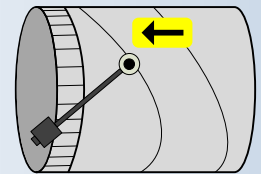
- SmartZone System Manual
- SmartZone-2X, 4X/8X Install Guides
- SmartZonePLUS Install Guide
- References available at ecojay.com or by calling toll free 888-523-ECOJ

Initial Weight Arm Positions

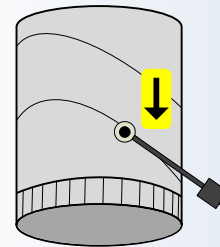
For different AIRFLOW → situations the weight arm may have to be mounted in one of the four ways described below.



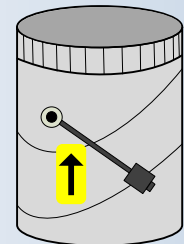
Left to Right
4 o'clock Position



Right to Left
8 o'clock Position



Down-Flow
4 o'clock Position



Up-Flow
4 o'clock Position

NOTE: Extra weight may be required for upflow applications. (Order ABDW)

Mounting & Setup

It is critical that the Bypass Damper is adjusted properly for the Zoning system to work properly.

1. Remove the Weight arm from the damper at the shaft collar and move the weight to the end of head of the weight arm bolt.
2. Follow drawings to the right to install the damper and chose the proper **initial weight arm position** based on the direction of airflow.
3. Make a call for cooling from ALL zones & verify that all zone dampers are open.
4. Make sure the bypass damper remains closed. If it is opening already, add more weight (ABDW).
5. Once the bypass damper is remaining closed, slowly move the weight toward the shaft (½ inch at a time) until the bypass damper starts to open slightly.
6. Move the weight back about ½ inch so the bypass damper remains closed with all Zones open.
7. Close one or more zones by removing the cooling calls and ensure that the barometric bypass damper opens.

ECOJAY PART NUMBERS

		ECOJAY PART NUMBERS	SmartZone-2X	2-Zone Controller w/ Supply Sensor
ZONE CONTROLS	Up to 8 ZONES	ZS2X	SmartZone-2X	2-Zone Controller w/ Supply Sensor
		ZS4X	SmartZone-4X	4-Zone Controller w/ Supply Sensor
		ZS8X	SmartZone-8X	8-Zone System (Using 4X4 Link) w/ Supply Sensor
		ZSKIT#	SmartZone-KIT	Order by # of zones, up to 8 Zones
ZONE CONTROLS	Up to 33 ZONES	ZPMC	SmartZonePLUS-MC	Main Controller (Controls Equipment & Zone 1) w/ Supply Sensor
		ZPE1	SmartZonePLUS-E1	1-Zone Expander Module (for use with SZP-MC)
		ZPE4	SmartZonePLUS-E4	4-Zone Expander Module (for use with SZP-MC)
		ZPKIT#	SmartZonePLUS-KIT	Order by # of zones, up to 33 Zones
DAMPERS	SUPPLY	DSUS	Supply Round – Spring Open	Spring Open (Fail Open)/ Power Close Round Supply Damper
		DSUP	Supply Round – Power Open	Power Open/ Power Close Round Supply Damper
		DSEP	Supply Rectangular – Power Open	Power Open/ Power Close Rectangular Supply Damper
	BYPASS	DBUM	Bypass Round – Modulating	Static Pressure Controlled Round Bypass Damper
		DBEM	Bypass Rectangular – Modulating	Static Pressure Controlled Rectangular Bypass Damper
		DBUB	Bypass Round – Barometric	Barometric (Weight-Arm) Controlled Round Bypass Damper

ecojay.com
MORE INFORMATION ABOUT THESE PRODUCTS AVAILABLE ONLINE

