

Spring-Open/Power-Close Round Dampers

DSUS

- Spring-Open / Power-Close Actuator
- Durable Spiral Can
- Safe Fail-Open Design
- LED Power indication on Damper

The ECOJAY Spring-Open/Power-Close low pressure two-position dampers use commercial grade components to deliver years of reliable and quiet operation. The damper body utilizes an automated spiral manufacturing process and heavy gauge galvanized steel. This prevents blade jams and insures an air tight seal when closed. The actuator motor and return spring are field proven and engineered to provide years of reliable and quiet operation under high cycle loads and high and low temperature environments. Air leakage is minimized due to a precision fit internal gasket seal.

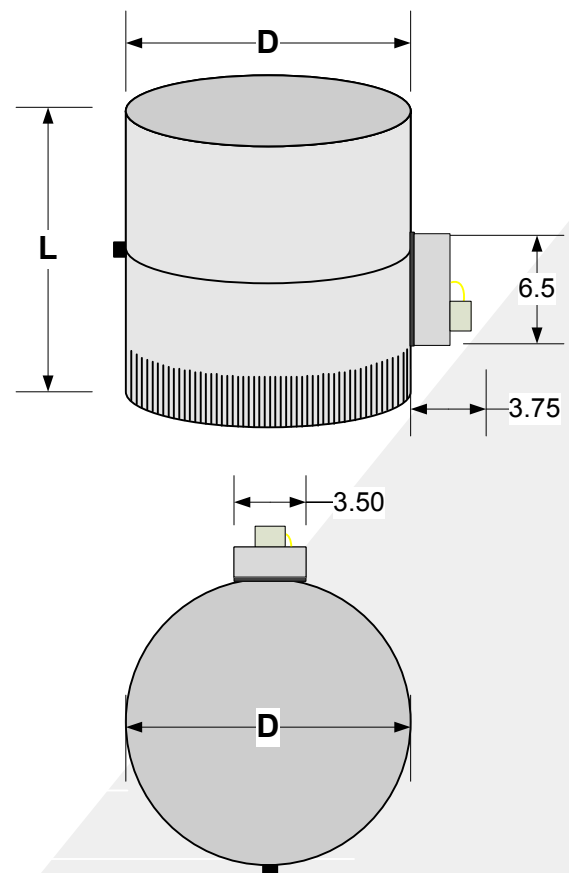
Features

- High-Reliability Direct Drive Motor Assembly
- Power-Closed/Spring-Open for Fail-Open Operation
- Heavy-Duty Galvanized Spiral Construction
- Precision Cut Blades with Gasket
- LED Indicates Damper Closed
- Long Life, Quiet Nylon Bushings
- 30-Second Operation From Full Open to Close
- Easy Connect Screwless Terminals
- Mount in any Position

Spring-Open Round Damper


DSUS

*See reverse for available sizes


 MORE INFORMATION
 AVAILABLE ONLINE

ecojay.com

SPECIFICATIONS

Power	24VAC, 9 VA typical (12 VA max)
Actuator	Direct Drive Shaft Coupling with Backlash Protection Power-Closed / Spring Return
Position Indicators	Red LED Indicates Closed Damper
Wiring	2 Screwless Terminals Power-Close (PC), Common Use 18 Gauge Solid Core 2-Wire
Sizing	See Available Size Chart

OTHER REFERENCES

- SmartZone System Manual
- SmartZone-2X, 4X/8X Install Guides
- SmartZonePLUS Install Guide
- Technical documents are available at ecojay.com or by calling toll free 888-523-ECOJ

Bypass Dampers Available

(DBUM & DBEM)

Static Pressure Controlled (Round & Rectangular)

(DBUB)

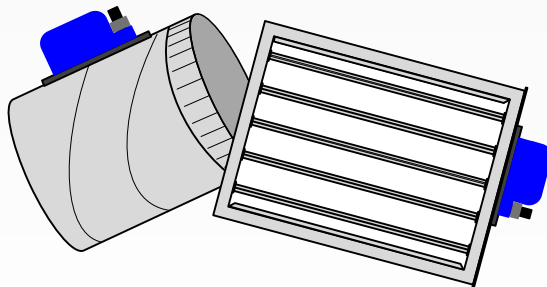
Barometric Pressure Controlled (Round Only)

Mounting Installation

The Spring Open/Power Close Series of Round Dampers can be mounted in any orientation for installation flexibility in a wide variety of supply air duct configurations.

NOTE: Installations positioning motors on the bottom without proper insulation are susceptible to potential motor shorting from condensing moisture. **Always insulate and seal any exposed areas.**

Power-Open /
Power-Close
Dampers
Available



Available Sizes

	Part #	D	L
SUPPLY DAMPER SIZES	DSUS06	6"	12"
	DSUS07	7"	12"
	DSUS08	8"	12"
	DSUS09	9"	12"
	DSUS10	10"	12"
	DSUS12	12"	14"
	DSUS14	14"	16"
DSUS16	16"	18"	
FRESH AIR DAMPER SIZES	DFUS06	6"	12"
	DFUS08	8"	14"

FRESH AIR Dampers are **Spring CLOSE**

ECOJAY PART NUMBERS

		ECOJAY PART NUMBERS	SmartZone-2X	SmartZone-4X	SmartZone-8X	SmartZone-KIT	SmartZonePLUS-MC	SmartZonePLUS-E1	SmartZonePLUS-E4	SmartZonePLUS-KIT
ZONE CONTROLS	Up to 8 ZONES	ZS2X	SmartZone-2X	SmartZone-4X	SmartZone-8X	SmartZone-KIT	Main Controller (Controls Equipment & Zone 1) w/ Supply Sensor	1-Zone Expander Module (for use with SZP-MC)	4-Zone Expander Module (for use with SZP-MC)	Order by # of zones, up to 8 Zones
		ZS4X	SmartZone-2X	SmartZone-4X	SmartZone-8X	SmartZone-KIT	Main Controller (Controls Equipment & Zone 1) w/ Supply Sensor	1-Zone Expander Module (for use with SZP-MC)	4-Zone Expander Module (for use with SZP-MC)	Order by # of zones, up to 8 Zones
		ZS8X	SmartZone-2X	SmartZone-4X	SmartZone-8X	SmartZone-KIT	Main Controller (Controls Equipment & Zone 1) w/ Supply Sensor	1-Zone Expander Module (for use with SZP-MC)	4-Zone Expander Module (for use with SZP-MC)	Order by # of zones, up to 8 Zones
		ZSKIT#	SmartZone-2X	SmartZone-4X	SmartZone-8X	SmartZone-KIT	Main Controller (Controls Equipment & Zone 1) w/ Supply Sensor	1-Zone Expander Module (for use with SZP-MC)	4-Zone Expander Module (for use with SZP-MC)	Order by # of zones, up to 8 Zones
	Up to 33 ZONES	ZPMC	SmartZonePLUS-MC	SmartZonePLUS-E1	SmartZonePLUS-E4	SmartZonePLUS-KIT	Main Controller (Controls Equipment & Zone 1) w/ Supply Sensor	1-Zone Expander Module (for use with SZP-MC)	4-Zone Expander Module (for use with SZP-MC)	Order by # of zones, up to 33 Zones
DAMPERS	SUPPLY	DSUS	Supply Round - Spring Open	Spring Open (Fail Open)/ Power Close Round Supply Damper						
		DSUP	Supply Round - Power Open	Power Open/ Power Close Round Supply Damper						
		DSEP	Supply Rectangular - Power Open	Power Open/ Power Close Rectangular Supply Damper						
	BYPASS	DBUM	Bypass Round - Modulating	Static Pressure Controlled Round Bypass Damper						
		DBEM	Bypass Rectangular - Modulating	Static Pressure Controlled Rectangular Bypass Damper						
		DBUB	Bypass Round - Barometric	Barometric (Weight-Arm) Controlled Round Bypass Damper						

ecojay.com
MORE INFORMATION
ABOUT THESE PRODUCTS
AVAILABLE ONLINE

