

## Supply Air Temperature Sensor

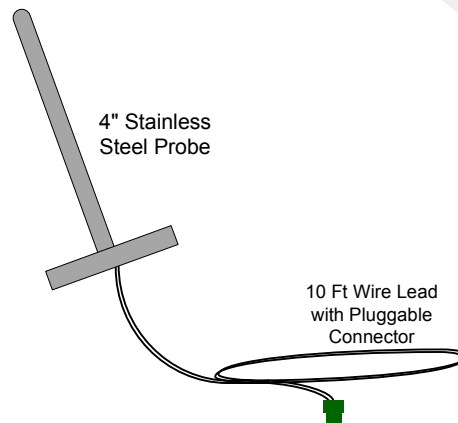
Temperature Probe for use with SmartZone Products

- Stainless Steel 4" Probe
- Pluggable Connector
- 10ft Wire Lead
- Included with all ECOJAY SmartZone controllers

The **Supply Air Temperature Sensor** uses a stainless steel probe designed to sense air temperature in the supply air plenum for the purpose of controlling equipment via the SmartZone Zoning controllers. When installed properly in the plenum it provides the SmartZone controller with an accurate average temperature of the supply air leaving the plenum. This temperature reading controls equipment staging and protects equipment with high and low temp limit cut-outs. Temperature readings from the SA Sensor are displayed on the display of the SmartZone controller when the "SUPPLY" indicator is on.

\*For further information refer to the SmartZone System Manual.

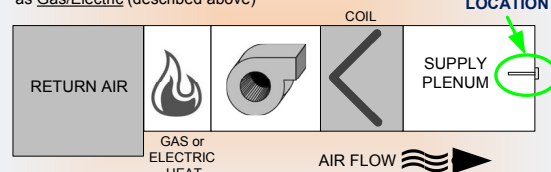
### Supply Air Temperature Sensor



### Supply Air Sensor Placement

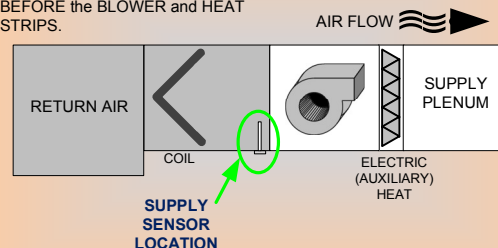
**Gas/Electric** – The SA Sensor should be placed in the airstream, 2 to 4 feet beyond the evaporator.

**Heat Pump with Dual Fuel** – Same as Gas/Electric (described above)

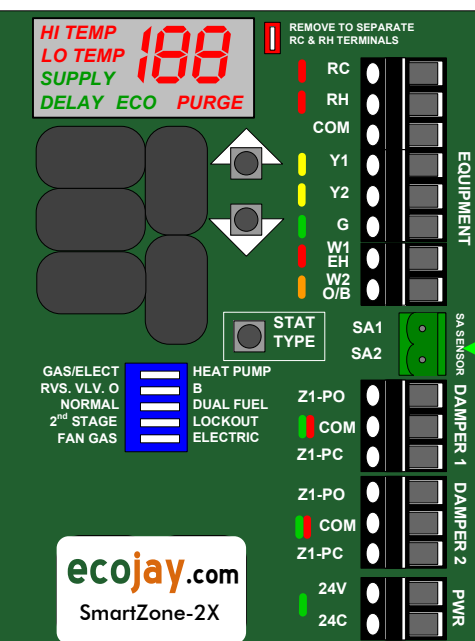


### Heat Pump (Standard)

The SA Sensor should be placed in the air handler AFTER the COIL but BEFORE the BLOWER and HEAT STRIPS.



**ASAS Included with EVERY ECOJAY Zone Control System**

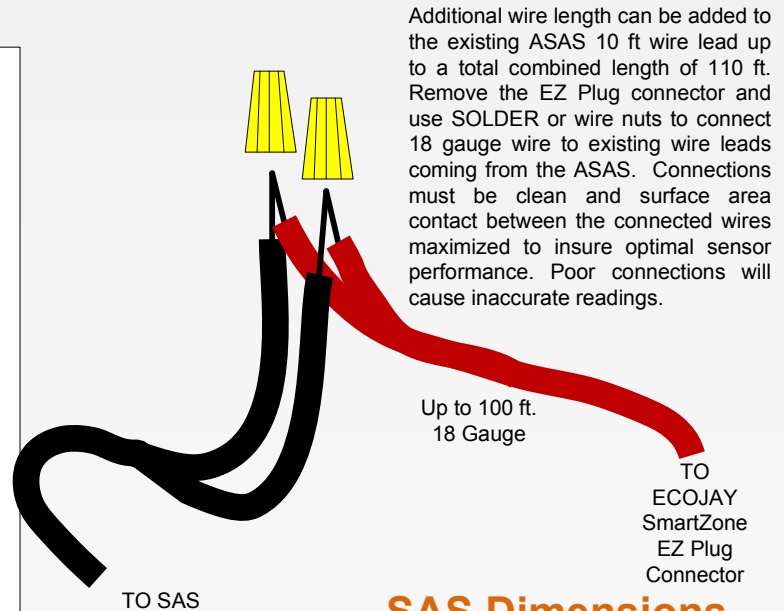


MORE INFORMATION AVAILABLE ONLINE

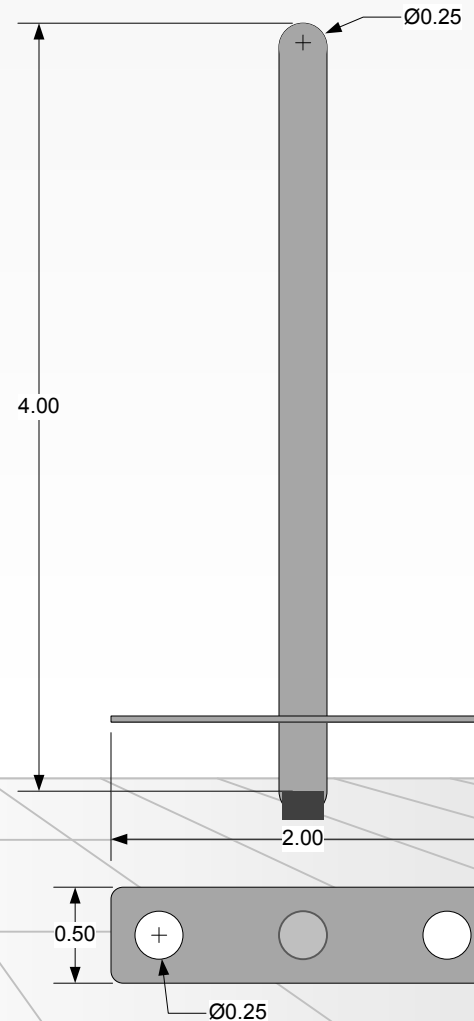
ecojay.com

### SPECIFICATIONS

<b>Mounting</b>	Mount securely in any orientation (Vertical, Horizontal or Diagonal)
<b>Accuracy Range</b>	0°C to 100°C
<b>Accuracy</b>	+/- 0.5°F
<b>Casing Material</b>	Stainless Steel
<b>Ambient Resistance</b>	10 kΩ +/- 2.5% @ 25°C
<b>Sensor Type</b>	10k, TYPE III
<b>Max Temp Display</b>	199°F or 199°
<b>Environmental</b>	Moisture Resistant
<b>Dimensions</b>	Length: 4.0" Diameter: 0.25"
<b>Mounting Dimensions</b>	Plate: 2" X 0.5" Holes: 1/4" Diameter (1.5" Center to Center)



### SAS Dimensions



### STATISTICS

Thermistor Curve, Type III

