

# NET/X™ WIRELESS COORDINATOR MODULE



for use with Net/X™ StrongMesh™ Wireless Network Thermostats

## WCM-2

### GENERAL DESCRIPTION

The WCM-2 Wireless Coordinator Module is second generation of the Net/X™ StrongMesh™ wireless coordinator and is the heart of the Net/X™ wireless communications system. Based on state of the art wireless mesh network technology, the coordinator handles all wireless communications with the WBM series of back plates, allowing seamless communications with Net/X™ thermostats without pulling any communications cable. The integrated RF transceiver offers unmatched performance in a 2.4GHz IEEE 802.15.4 module. With a tested outdoor line-of-site range of over 3,000 feet from the WCM-2 to a WBM-1 backplate before 'hopping', the module supplies the power and reliability needed for practically any building. And because the WCM-2 coordinates the mesh (or hops) between the other modules in the network, each thermostat's RF transceiver acts as a repeater, allowing networks of virtually any size and range.



Works for both new construction and hard to reach retrofit applications.

### Standard Features

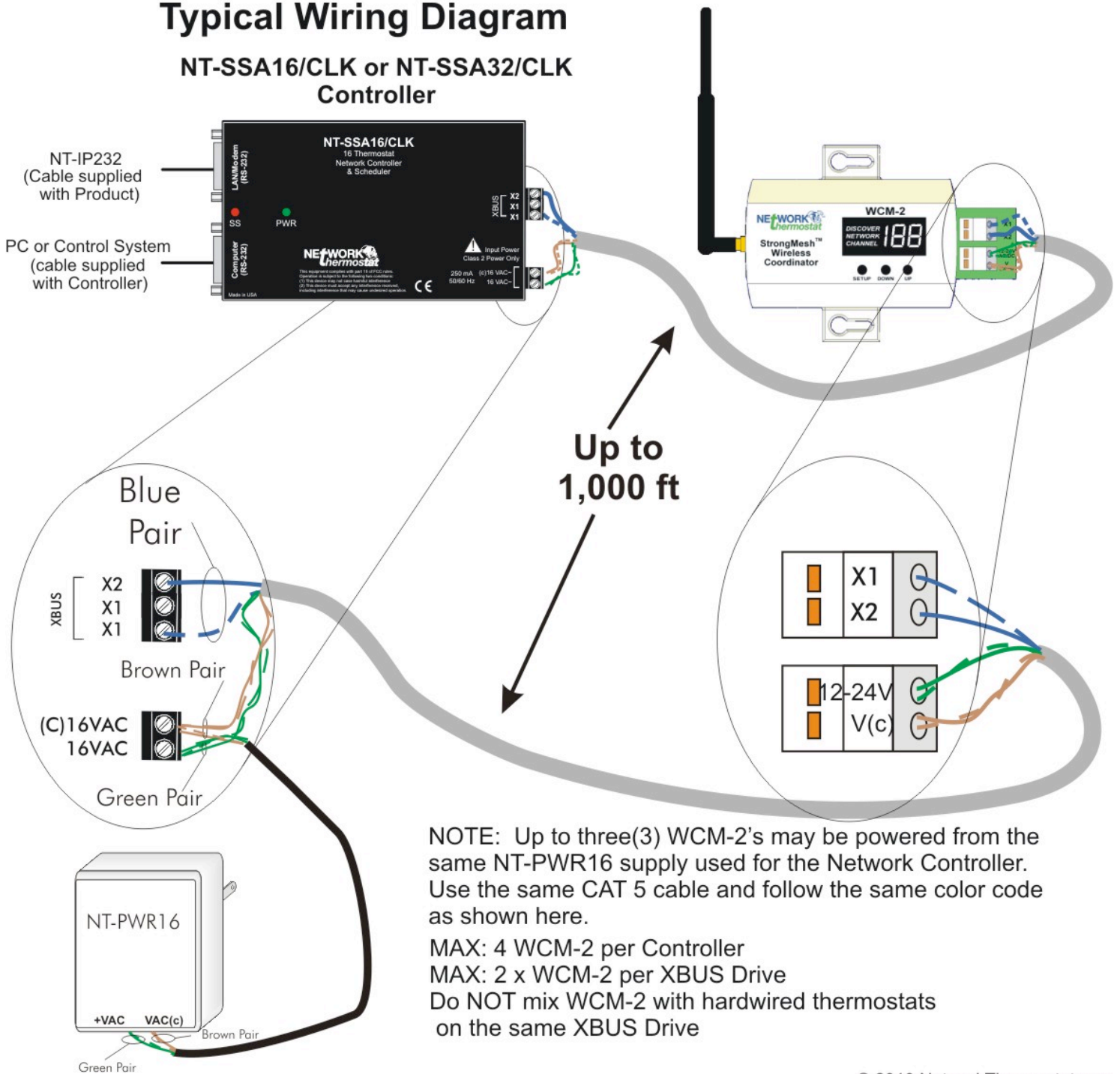
- Connect to any Net/X™ Network Controller via the XBUS communications port
- Can be placed up to 1000 feet away from the Network Controller with a single CAT5 cable
- Can be combined with 'wired' Net/X™ thermostats on the same system
- Usable wireless range of up to 1,000 feet, depending on building structure
- Up to a maximum of four (4) WCM-2 can be connected to a Network Controller
- Up to a maximum of two (2) WCM-2 can be connected to a single XBUS Drive
- Coordinates up to 32 wireless thermostats
- Virtually unlimited system size with up to 16 Channels and 99 networks per channel
- Peacefully coexists with other 2.4GHz wireless communications products, including WiFi
- Simple pushbutton configuration
- LED Display for Network ID, Channel ID and System Configuration and Status
- Coaxial long range antenna included
- IEEE 802.15.4 mesh network compliant
- 2.4GHz spread spectrum technology
- FCC Certified on all 16 channels
- FCC Part 15.247 Class B agency approval; Industry Canada (IC) approval

Note: Specifications subject to change without notice.

# SPECIFICATIONS

Rated Voltage :	16 or 24Vac Transformer
	<i>RECOMMENDED WIRING SHOWN BELOW</i>
Rated Power :	18dBm
L.O.S Range:	3,000 feet
Indoor Range:	up to 1,000 feet
Frequency Range:	2.4GHz, spread spectrum
Antenna Type:	Coaxial 1/4 Wave
Certifications:	FCC and IC
Dimensions :	6.5" H x 6" W x 1.6" D
Power Terminations :	12-24VAC - power, V(c) - power common

## Typical Wiring Diagram NT-SSA16/CLK or NT-SSA32/CLK Controller



Up to  
1,000 ft

NOTE: Up to three(3) WCM-2's may be powered from the same NT-PWR16 supply used for the Network Controller. Use the same CAT 5 cable and follow the same color code as shown here.

MAX: 4 WCM-2 per Controller  
MAX: 2 x WCM-2 per XBUS Drive  
Do NOT mix WCM-2 with hardwired thermostats on the same XBUS Drive